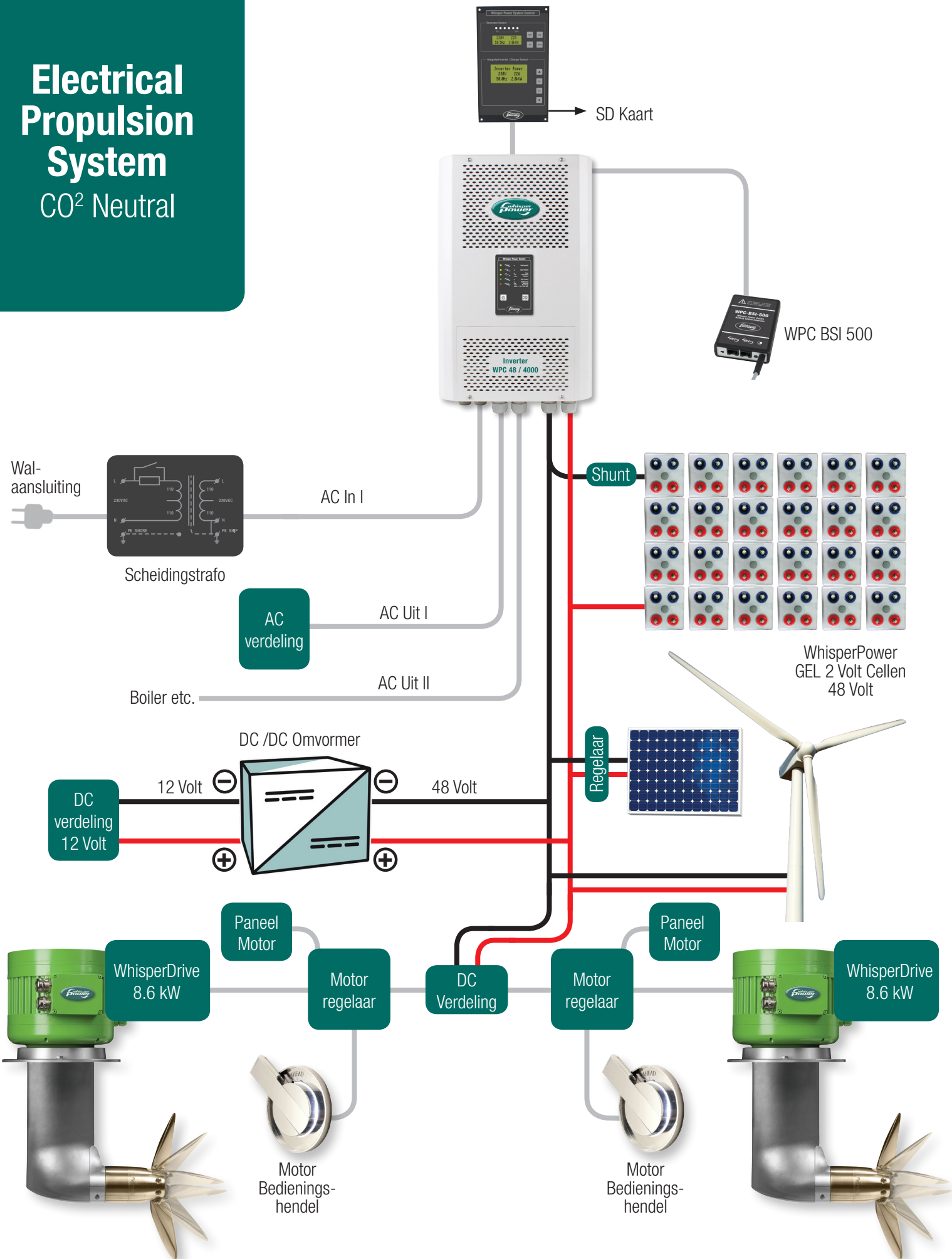


# Electrical Propulsion System

CO<sup>2</sup> Neutral



Smart mobile energy solutions